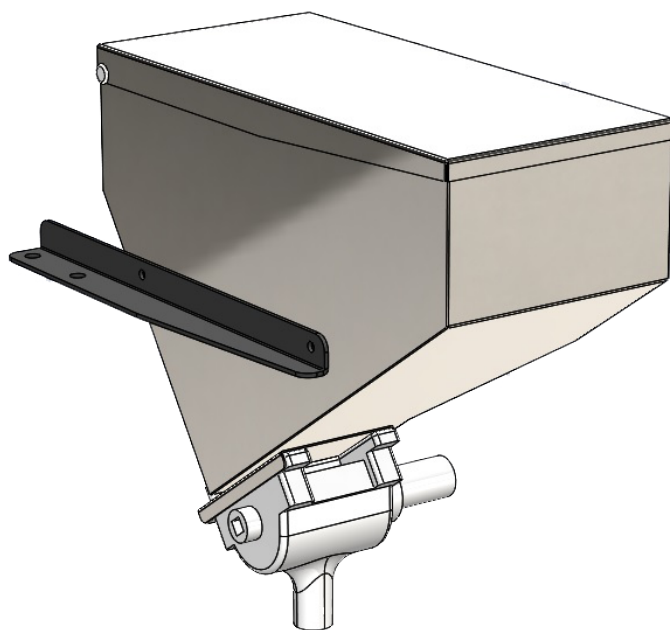


MICROLINE



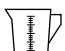
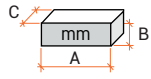
NEW

Volumetric metering unit

The MICROLINE is a volumetric metering unit suitable for the localized distribution of micro-granular products. A metering roller with flexible cells allows the distribution, while the adjustment is made through a partition controlled by a rotating ring nut. MICROLINE is easily adaptable to any farming machine and can eventually, be supplied with electric drive.



MICROLINE

CODE	 n°	 kg	 L			
				A	B	C
13201012	1	-	12	395	385	180
13202025	2	-	25	395	385	360
13204120	4	-	120	395	385	1400

STANDARD EQUIPMENT

Stainless-steel tank with lid

Support brackets

Couple of telescopic tubes

Volumetric metering unit